
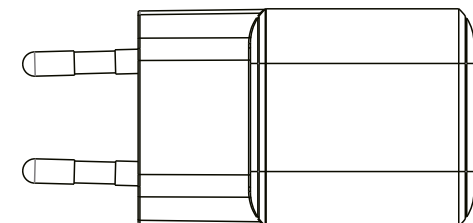
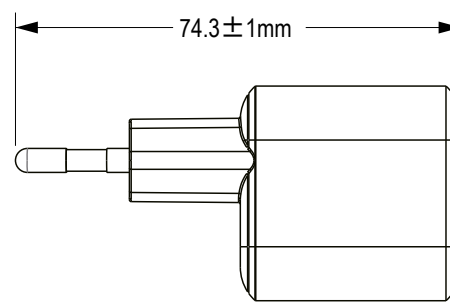
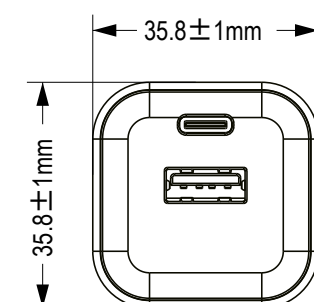



| | | | | | | | | | | | | | | | | |
|---|--|---|-----------------------|--|--------|--|---|-------------------------------|---|---|----|---|----|----|-----|--|
| | 1 | 2 | 3 | 4 | 5 | 6 | 7 | 8 | 9 | 10 | 11 | 12 | 13 | 14 | | |
| A | Art.-Nr. / Item No. | | Farbe / Colour | | | | | | | | | | | | A | |
| | 65864 | | schwarz / black | | | | | | | | | | | | | |
| | 65865 | | weiß / white | | | | | | | | | | | | | |
| B |  | | |  | | |  | | |  | | | | B | | |
| C | | | | | | | | | | | | | | | C | |
| D | | | | USB-C™ PD GaN Schnellladegerät Nano (20 W) - geeignet für Geräte mit USB-C™-PD (Power Delivery) - GaN-Technologie ermöglicht schnelleres und effizienteres Laden und eine kompaktere Bauweise | | | | | USB-C™ PD GaN Dual Fast Charger Nano (20 W) - suitable for devices with USB-C™ PD (Power Delivery) - GaN technology allows for faster, more efficient charging and a more compact design | | | | | D | | |
| E | | | | Anschlüsse: Eurostecker (Typ C, CEE 7/16) USB-A-Buchse (Quick Charge) USB-C™-PD-Buchse (Power Delivery) | | | | | Connections: Euro plug (Type C, CEE 7/16), USB-A QC (Quick Charge) socket USB-C™ PD (Power Delivery) socket | | | | | E | | |
| F | | | | Eingang: 100-240 V ~, 50/60 Hz, 0,5 A Ausgang USB-C™ PD: 5,0 V =, 3,0 A, 15,0 W max. oder 9,0 V =, 2,22 A, 20,0 W max. oder 12,0 V =, 1,67 A, 20,0 W max. oder | | | | | Input: 100-240 V ~, 50/60 Hz, 0.5 A Output USB-C™ PD: 5.0 V =, 3.0 A, 15.0 W max. or 9.0 V =, 2.22 A, 20.0 W max. or 12.0 V =, 1.67 A, 20.0 W max. or | | | | | F | | |
| G | | | | PPS1: 3,3-5.9 V =, 3,0 A, 17,7 W max. oder PPS2: 3,3-11.0 V =, 1,8 A, 19,8 W max. oder Ausgang USB-A QC: 5,0 V =, 3,0 A, 15,0 W max. oder 9,0 V =, 2,0 A, 18,0 W max. oder 12,0 V =, 1,5 A, 18,0 W max. oder | | | | | PPS1: 3.3-5.9 V =, 3.0 A, 17.7 W max. or PPS2: 3.3-11.0 V =, 1.8 A, 19.8 W max. or Output USB-A QC: 5.0 V =, 3.0 A, 15.0 W max. or 9.0 V =, 2.0 A, 18.0 W max. or 12.0 V =, 1.5 A, 18.0 W max. or | | | | | G | | |
| H | | | | Ausgang USB-C™ PD + USB-A-QC: 5,0 V =, 3,0 A, 15,0 W max. Durchschnittliche Effizienz im Betrieb: 83,6 % Effizienz bei geringer Last (10 %): 77,6 % Leistungsaufnahme bei Nulllast: 0,04 W Schutzklasse Schutzart: II IP20 Abmessungen: 74,3 x 35,8 x 35,8 mm Gewicht: ca. 55 g | | | | | Output USB-C™ PD+ Output USB-A QC: 5.0 V =, 3.0 A, 15.0 W max. Average active efficiency: 83.6 % Efficiency at low load (10 %): 77.6 % No-load power consumption: 0.04 W Protection class Protection level: II IP20 Dimensions: 74.3 x 35.8 x 35.8 mm Weight: approx. 55 g | | | | | H | | |
| I | Änderungen | | | Datum | | Name | | Bezeichnung | | | | Blatt | | | I | |
| | Datum | | Name | | gez.: | 17.06.2024 | alw | TRA USB 20W 2 Port 1xA/1xC PD | | | |  | | | 1/1 | |
| | | | | | gepr.: | 17.06.2024 | alw | | | | | | | | von | |
| J | | | | Norm: | | Änderungen vorbehalten / Subject to change | | Zeichnungs-Nr.: | | | | 65864, 65865 | | | J | |
| | 1 | 2 | 3 | 4 | 5 | 6 | 7 | 8 | 9 | 10 | 11 | 12 | 13 | 14 | | |